

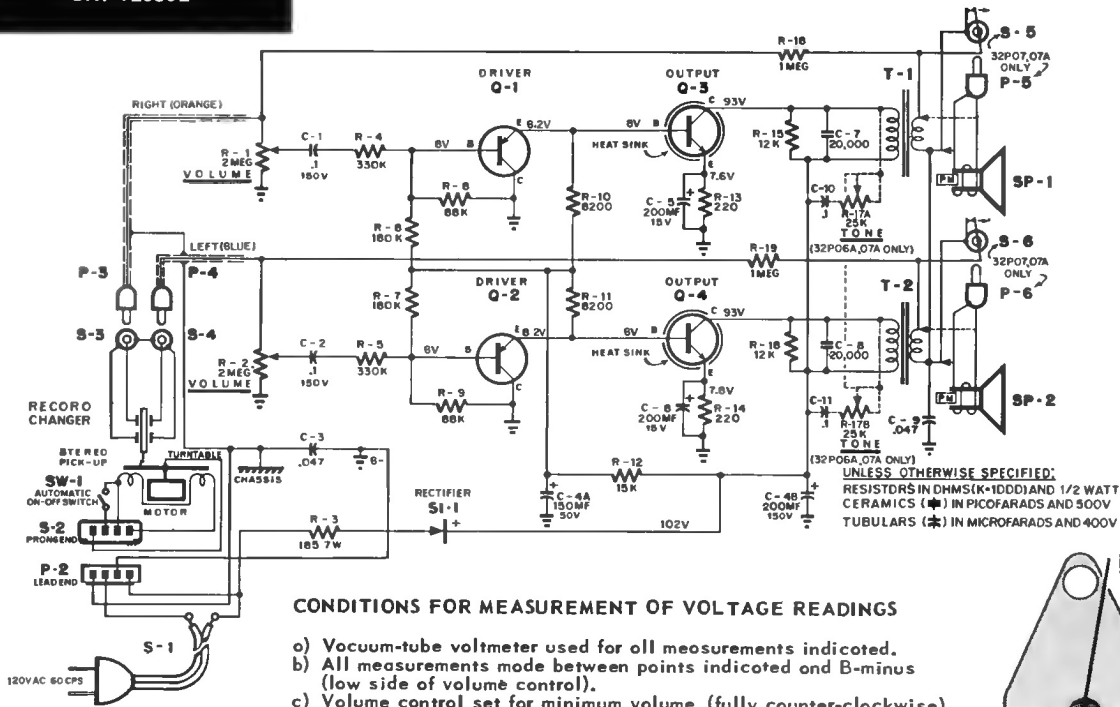
32P06, 32P07

CH. 120815

32P06A, 32P07A

CH. 120832

Emerson Radio

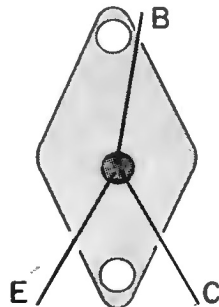


CONDITIONS FOR MEASUREMENT OF VOLTAGE READINGS

- Vacuum-tube voltmeter used for all measurements indicated.
- All measurements made between points indicated and B-minus (low side of volume control).
- Volume control set for minimum volume (fully counter-clockwise).

TRANSISTOR REPLACEMENT INFORMATION

CHASSIS PRODUCTION	RESISTANCE VALUES EMPLOYED			USE ONLY THE FOLLOWING REPLACEMENTS	
	R-4,5	R-8,9	R-15,16	Q-1,2	Q-3,4
GROUP A	330 K	68 K	12 K	815181-B	815180-3 OR -4
GROUP B	220 K	82 K	8.2 K	815181-D	815180-7



TERMINAL IDENTIFICATION -

Q-3, Q-4

UNLESS OTHERWISE SPECIFIED:
RESISTORS IN OHMS (K=1000 AND 1/2 WATT
CAPACITORS IN PICOFARADS AND 500V
TUBULARS (M) IN MICROFARADS AND 400V